

DRIVER		
DATE		
TRACK		

### TRACTION

LOW <input type="checkbox"/>	MEDIUM <input type="checkbox"/>	HIGH <input type="checkbox"/>
------------------------------	---------------------------------	-------------------------------

### LAYOUT

SLOW <input type="checkbox"/>	MIXED <input type="checkbox"/>	FAST <input type="checkbox"/>
-------------------------------	--------------------------------	-------------------------------

### ENGINE

TYPE		
GLOW PLUG/FUEL PIPE/MANIFOLD		

### CLUTCH SETTINGS

SHOE#/BELL#		
CLEARANCE(mm) / AXIALPLAY(mm)		
SPRING#/TENSION(mm)		

### TYRES

CONTROLLED

FRONT		BRAND	REAR	
LEFT	RIGHT		LEFT	RIGHT

		SHORE DIAMETER START DIAMETER 5min		
--	--	------------------------------------	--	--

### SHOCK ABSORBERS

FRONT	REAR
-------	------

PISTON		PISTON	
OIL		OIL	
SPRING		SPRING	

### ANTI ROLL BAR FRONT

2,2  2,3  2,4  2,5

### ANTI ROLL BAR REAR

2,8  2,9  3,0

### SERVO SAVER POSITION

FORWARD <input type="checkbox"/>	REARWARD <input type="checkbox"/>	<input type="checkbox"/>	<input type="checkbox"/>	<input type="checkbox"/>
----------------------------------	-----------------------------------	--------------------------	--------------------------	--------------------------

### PINION 1st

15T  16T

### PINION 2nd

19T  20T

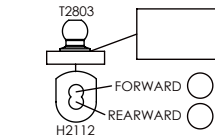
### SPUR 1st

48T  49T  50T

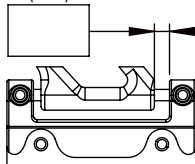
### SPUR 2nd

45T  46T  47T

### STEERING ROD POSITION



### CASTER ANGLE (mm)



### UPPER ARM POSITION

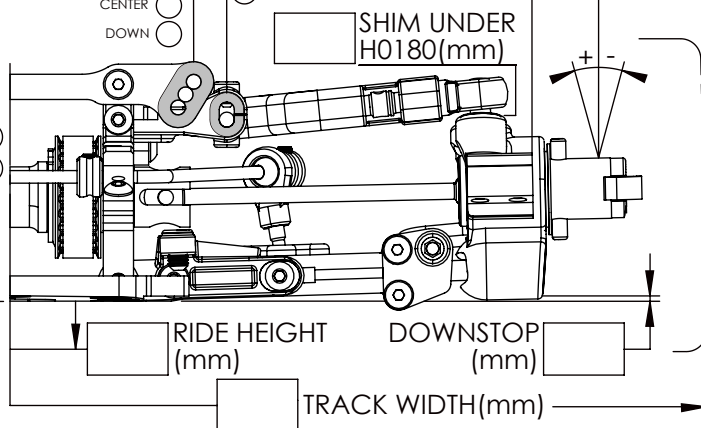
UP   
CENTER   
DOWN

### CAMBER

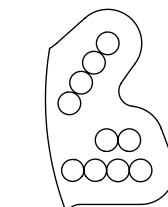
YES <input type="radio"/>	NO <input type="radio"/>	DISK
LEFT	RIGHT	

### SHOCK HOLE

UP   
CENTER   
DOWN



### SHOCK/UPPER ROD POSITION

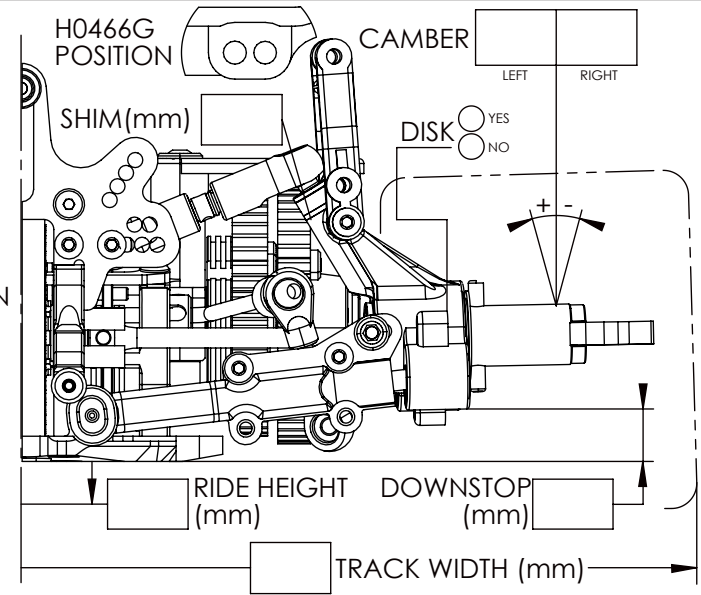


### SHOCK POSITION H2115

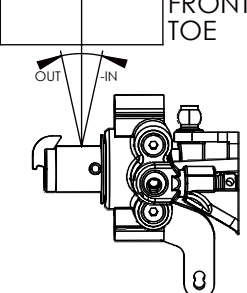


### LOWER ARM POSITION

UP   
CENTER   
DOWN

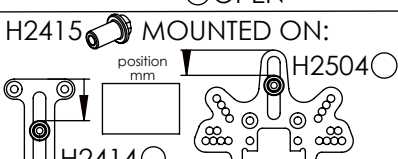


### FRONT TOE

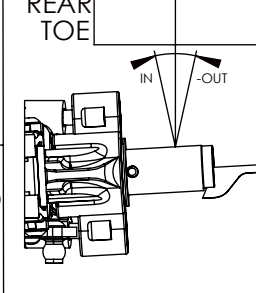


### RADIOPLATE FLEX

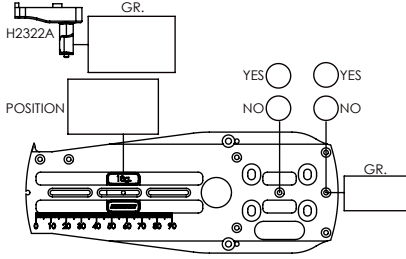
FIXED   
OPEN



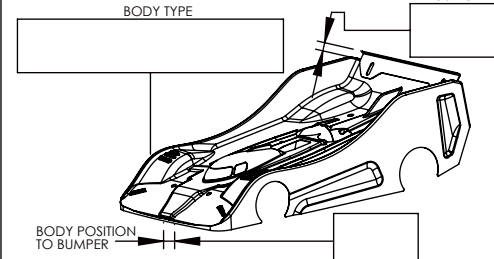
### REAR TOE



### WEIGHT DISTRIBUTION



### AERO/SETTING



NOTES: