

DATE	
DRIVER	
TRACK	

CARPET  ASPHALT

TRACTION

LOW  MEDIUM  HIGH

LAYOUT

SLOW  MIXED  FAST

ELECTRIC'S

STEERING SERVO	TYPE	SETTINGS

ESC	TYPE	SETTINGS

ENGINE	TYPE	SETTINGS

TYRES/ADDITIVE	TYPE	TYPE

FRONT		REAR	
FULL <input checked="" type="checkbox"/>	MIN. <input type="checkbox"/>	FULL <input checked="" type="checkbox"/>	MIN. <input type="checkbox"/>

SHOCK ABSORBERS

FRONT REAR

PISTON	4	PISTON	4
--------	---	--------	---

OIL	450	OIL	450
-----	-----	-----	-----

SPRING	1,56	SPRING	1,56
--------	------	--------	------

ANTI ROLL BAR FRONT

1,2  1,3  1,4  1,5

ANTI ROLL BAR REAR

1,1  1,2  1,3  1,4

SERVO SAVER POSITION

FORWARD	REARWARD
<input type="checkbox"/>	<input checked="" type="checkbox"/>

PINION SPUR

DIFF SPOOL

HIGH <input type="checkbox"/>	HIGH <input type="checkbox"/>
LOW <input checked="" type="checkbox"/>	LOW <input checked="" type="checkbox"/>

DIFF OIL CST 3000

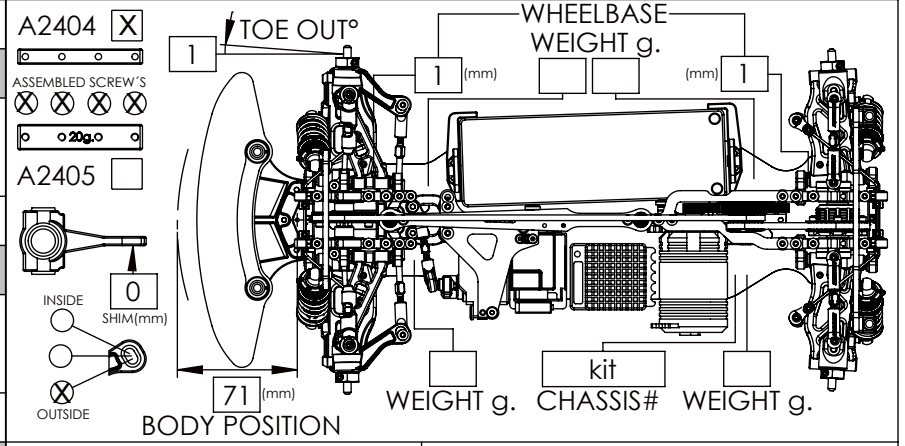
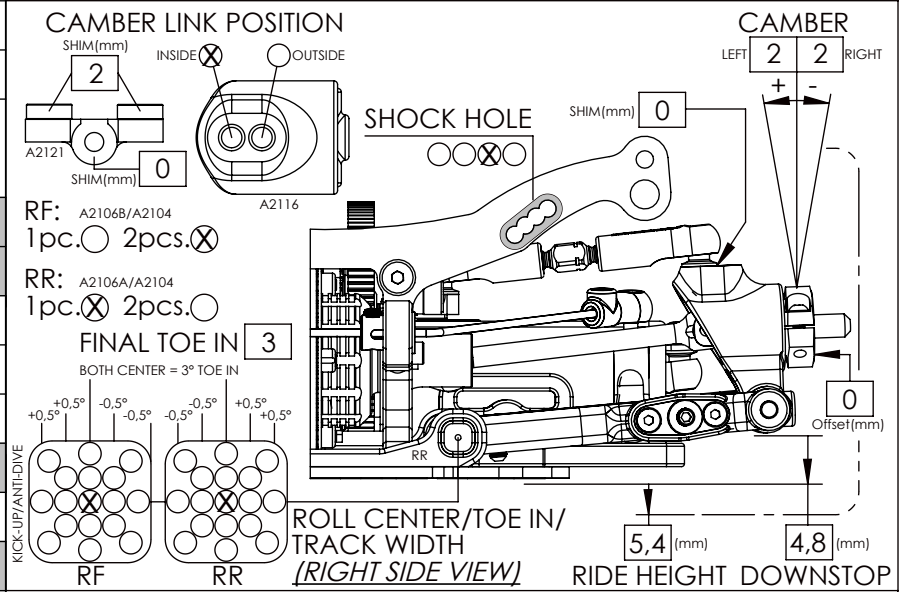
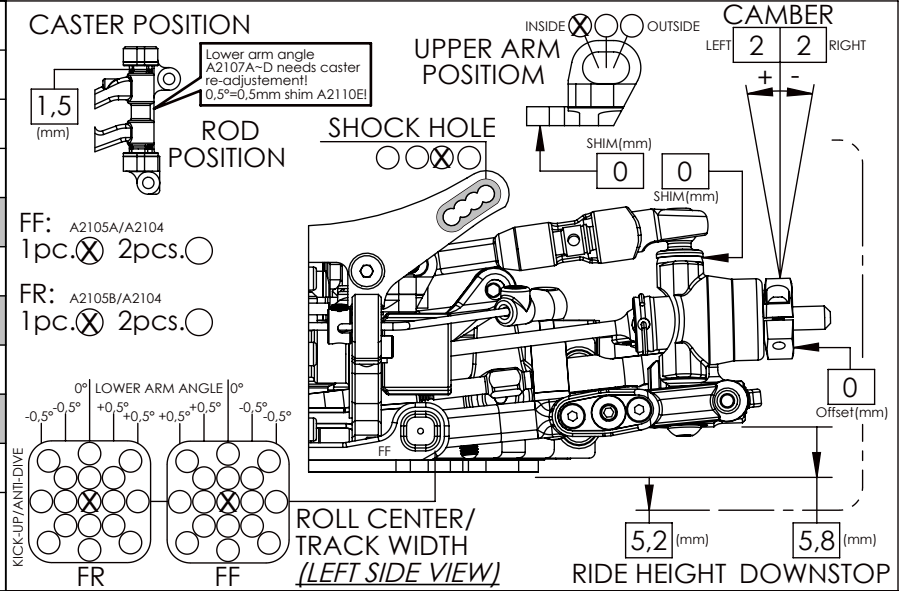
SHOCK POSITION LOWER ARM

PART#	REAR kit	PART#	FRONT kit

HOLE POSITION BALL LINK	INSIDE	HOLE POSITION BALL LINK	INSIDE
	<input type="checkbox"/>		<input type="checkbox"/>
	<input checked="" type="checkbox"/>		<input checked="" type="checkbox"/>

FLEX

ULTRAFLEX <input checked="" type="checkbox"/>
TOPDECK
SCREW'S ASSEMBLED



STEERING SHAFT MOUNTED ON

SERVOPLATE

CHASSIS

STEERING STOPPER A2304/A2305/A2306

$\phi 5$    $\phi 5,5$    $\phi 6$   NO

WING TYPE MR33 (hard)

LTC-R

BODY TYPE

10 OVERHANG(mm)

NOTES:

Please find more setup sheets at:  
[www.mugenseiki.co.jp](http://www.mugenseiki.co.jp) (setting sheet)