

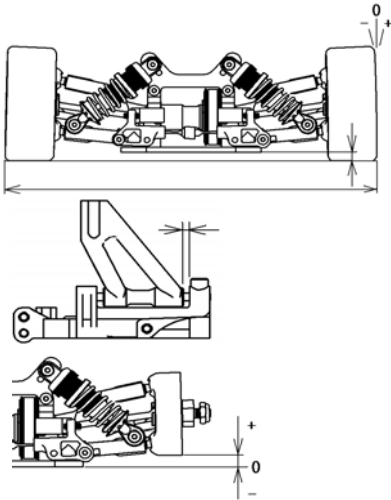
Ver. 0201

Track Conditions

- Size: Open Med. Tight
 Traction: High Med. Low
 Surface: Smooth Med. Bumpy

Name: Mike Swauger
 Date: 2005 Winternats
 Track: Ft. Myers.FI

Front suspension



Track width 200 mm
 Ride height 4 mm
 Camber angle -2 °
 Caster angle 2 mm
 Toe angle out .5 °
 Rebound stop 1 mm
 Bump stop
 None Use

Anti-roll bar

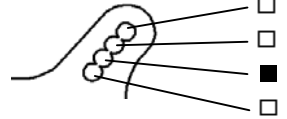
Steering Ackerman (T0304)

- A B C

Front shocks

Piston stock
 Oil # 600
 Spring Grey

Shock position



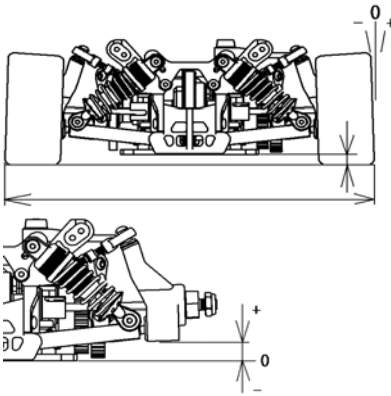
Front diff.

- Gear diff.

Oil # _____

- One way

Rear suspension



Track width 200 mm
 Ride height 5 mm
 Camber angle -3.5 °
 Toe angle 2.0 °
 Rebound stop 5 mm
 Bump stop
 None Use

Lower arm position(T0128,T0129)

- 4mm(A-A) 5mm(B-B) 6mm(C-C)

Anti-roll bar Kawaha mm

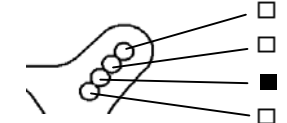
Upper arm position



Rear shocks

Piston stock
 Oil # 600
 Spring Grey

Shock position



Rear diff.

Oil 50,000

Engine

Type JP FX-T03
 Gasket _____ mm Muffler JP
 Plug 7tf Fuel Mugen 30%

Clutch

Red Gray
 Clutch shoes Black Gray
 Centrifugal shoe Light
 Spring JP
 Clutch bell clearance 0.4 mm
 Spring Adj. Nut position 9 mm

Tire

Front Rear
 Type Zac 45 Type Zac 45
 Dia.(start) L /R Dia.(start) L /R
 Dia.(finish) L /R Dia.(finish) L /R

Body

Type Protoform Mazda 6
 Wing _____

Drive ratio

1st 21 / 59
 2nd 27 / 53

Brake pad

- Black Yellow

Result

Race time / Lap _____
 Best lap (1Lap) _____

Comments:

.....

